

This is where you can test the code as to how it will work on the SnapCPU, without downloading it

This list is where you chose the blocks of code to use

These buttons are for testing the real circuit

This is where the blocks of code are arranged in the order you want



MicroChip Simulator

Blocks

PICAXE BASIC

JavaScript

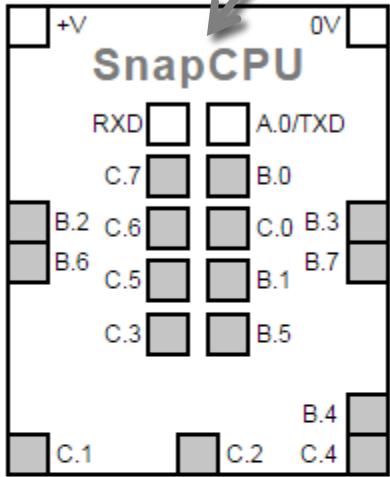
Python

Arduino

XML

Cloud Help

_snapCPU20.xml



- Output
- Input
- Delays
- Loops
- IF Variable...
- SET Variable...
- Maths
- Procedures
- Tasks
- Motors
- Devices
- Advanced
- KodeKLIX
- SnapCPU
- SnapBUG

```

start
forever
do
  set SnapCPU20 RGB LED to [black]
  if input C.4 is on
  then
    play note 128 for 500 ms on C.2
  if LDR C.1 is lighter than [grey]
  then
    set SnapCPU20 RGB LED to [green]
    wait for 350 millisecond(ms)
    set SnapCPU20 RGB LED to [yellow]
    wait for 350 millisecond(ms)
    set SnapCPU20 RGB LED to [red]
    wait for 1 Second(s)
  
```

This box is where numbers and words can be changed

This box is for changing which snap is used by your code

Some code blocks have special boxes



RUN the simulator

STOP the simulator before downloading code to the real circuit